

Name of product:

CobiCabling RJ45 plug CAT. 6 UTP, toolless

Part number:

C17-6000

FEATURES:

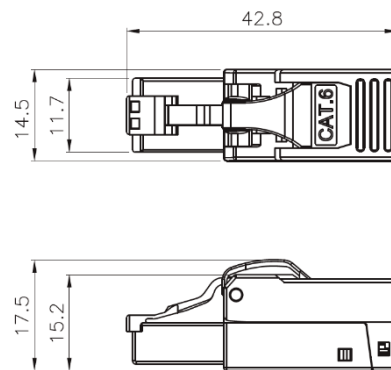
- 250MHz frequency (CAT. 6)
- 25-years warranty
- Connections coding according to TIA 568A and 568B
- 26-23 AWG, solid or stranded
- Toolless termination

PRODUCT DESCRIPTION:

A reliable solution when field termination of solid copper cable is required, CobiCabling plugs offer quick, tool-free assembly and are an ideal solution for engineers to carry with them to any site. The plugs allow you to connect cables with diameters ranging from 26 to 23AWG (solid or stranded). Just insert wires in cable manager following colour code and snap the housing shut.

COMPLIANCE WITH THE REQUIREMENTS OF STANDARDS:

- EN 50173-1:2018-07
- EN 50173-1:2018
- ISO/IEC 11801:2017
- ANSI/TIA-568-D.0/D.1/D.2
- PN-EN IEC 60603-7:2021-07



TYPICAL APPLICATIONS:

- 100Base-TX Fast Ethernet;
- 1000Base-T Gigabit Ethernet;
- PoE, PoE+, 4PPoE and Power over HDBaseT (POH) applications up to 100 Watts

Feature	Values
Dimensions ($\pm 0,2\text{mm}$)	Width: 14,5mm, Height: 17,5mm, Depth: 42,8mm
Type of connector	RJ45
Compatible with	6 (backward compatibility)
Shielding	UTP (unshielded)
Housing	PC UL94-V0
Conductor diameter	26-23 AWG