

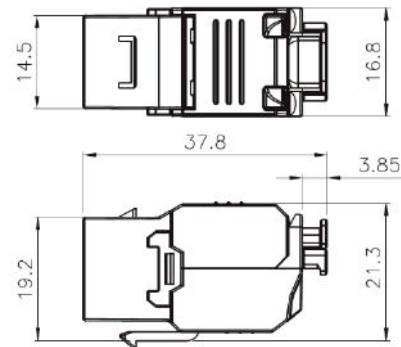
Name of product:
CobiCabling CAT. 6 UTP RJ45
keystone, toolless



Part number:
C11-6000

FEATURES:

- Tested over a wide range of frequencies exceeding requirements CAT. 6
- 25-years warranty
- Connections coding according to TIA 568A and 568B
- 26-23 AWG, solid or stranded
- Toolless termination
- Dust cover



PRODUCT DESCRIPTION:

CobiCabling CAT. 6 Toolless Keystones are designed for quick and reliable installation in mind. With a small total diameter it permits several cable entry options as well as several housing options from patchpanels, faceplates and shutters to sub floor boxes. The automatically retractable dust covers keeps the connection pins clean even when not in use for an extended period of time.

COMPLIANCE WITH THE REQUIREMENTS OF STANDARDS:

- EN 50173-1:2018-07
- EN 50173-1:2018
- ISO/IEC 11801:2017
- ANSI/TIA-568.0-D / 1-D / 2-D
- PN-EN IEC 60603-7:2021-07

TYPICAL APPLICATIONS:

- 100Base-TX Fast Ethernet;
- 1000Base-T Gigabit Ethernet;
- PoE, PoE+, 4PPoE and Power over HDBaseT (POH) applications up to 100 Watts

Feature	Values
Dimensions (±0,2mm)	Width: 16,8mm, Height: 21,3mm, Depth: 37,8mm
Type of connector	RJ45
Compatible with	6 (backward compatibility)
Shielding	UTP (unshielded)
Housing	ABS+PC UL94-V0
Conductor diameter	26-23 AWG